

Siphon Valve



Siphon Valve

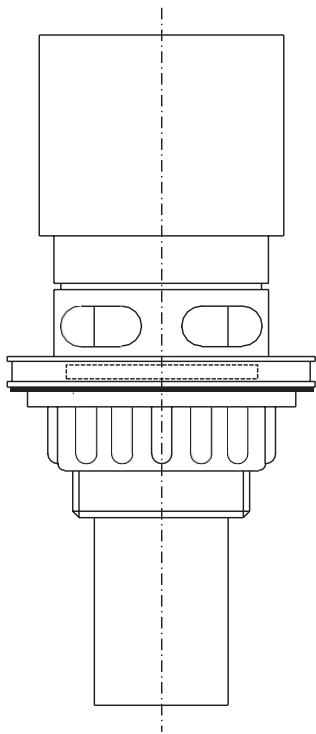
Siphon Valve for container tables

The Siphon Valve has three build in functions:

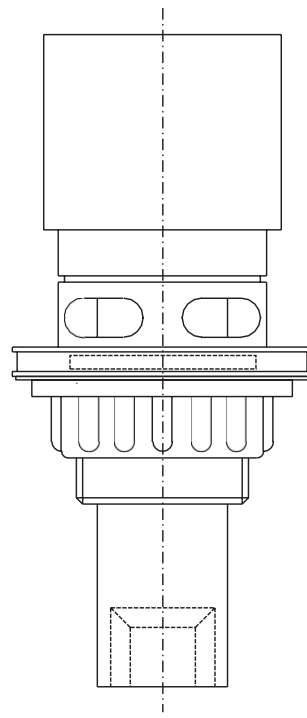
- Can be adjusted to drain the table at three different water levels by adjusting the top of the valve to the desired level
- If the top of the valve is set at the maximum position, the nutrient solution will remain on the container table
- If the top of the valve is removed completely, the water will continuously run off the table

The Siphon Valve is easy to disassemble for cleaning and can be mounted in all types of container tables.

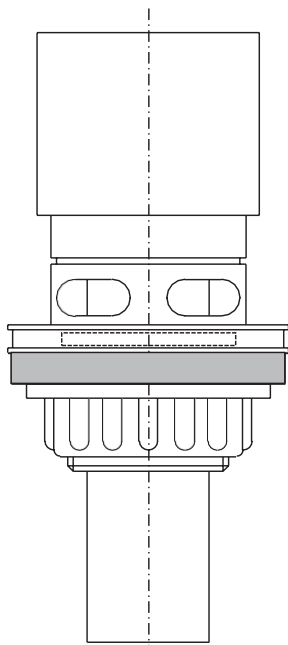
Siphon Valves



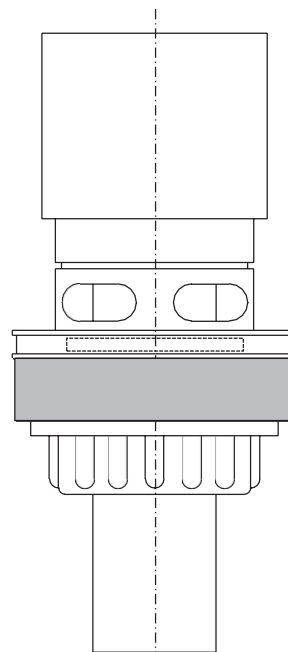
Item no.: 0750800
Siphon Valve



Item no.: 0750806
Siphon Valve with
reduction bush $\varnothing 10$

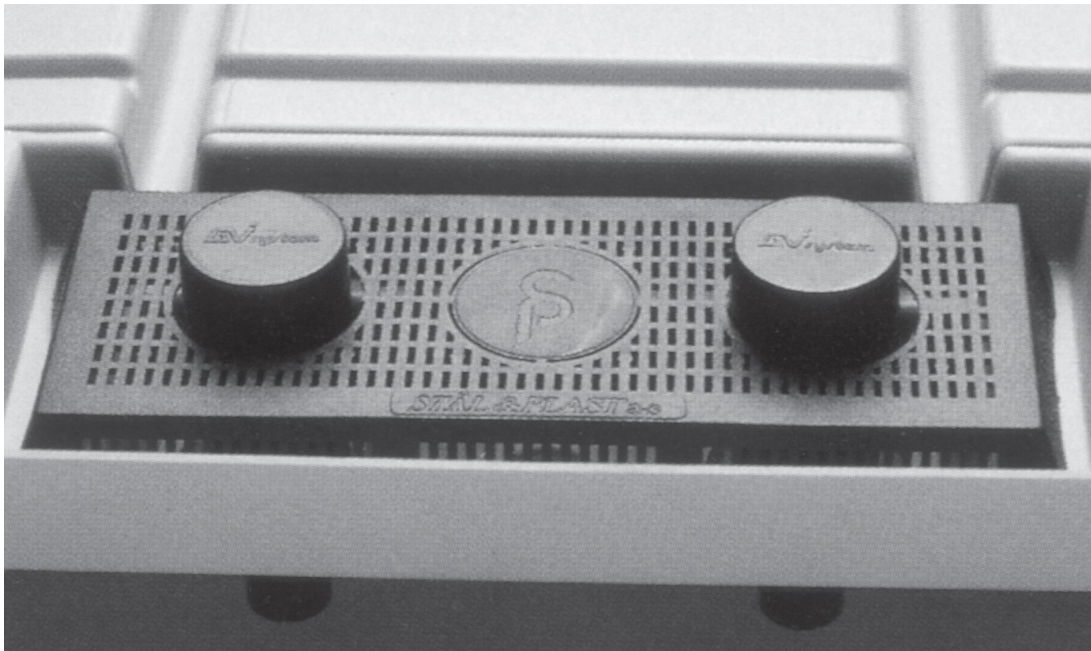


Item no.: 0750801
Siphon Valve with
5 mm rubber gasket



Item no.: 0750802
Siphon Valve with
10 mm rubber gasket

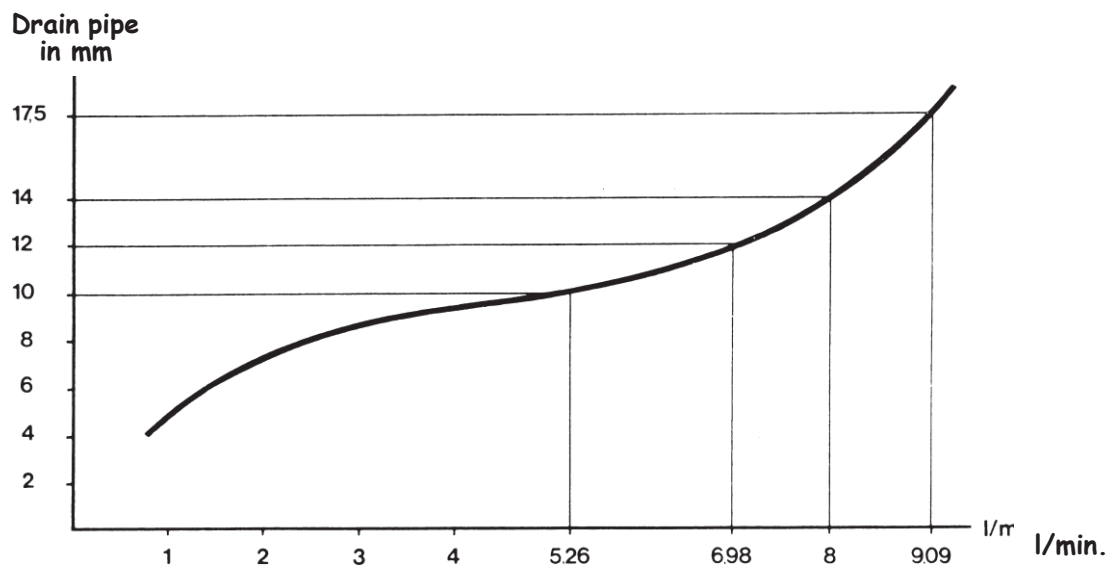
Installation:



You can install 1 - 3 Siphon Valves per mobile bench.

Diagram:

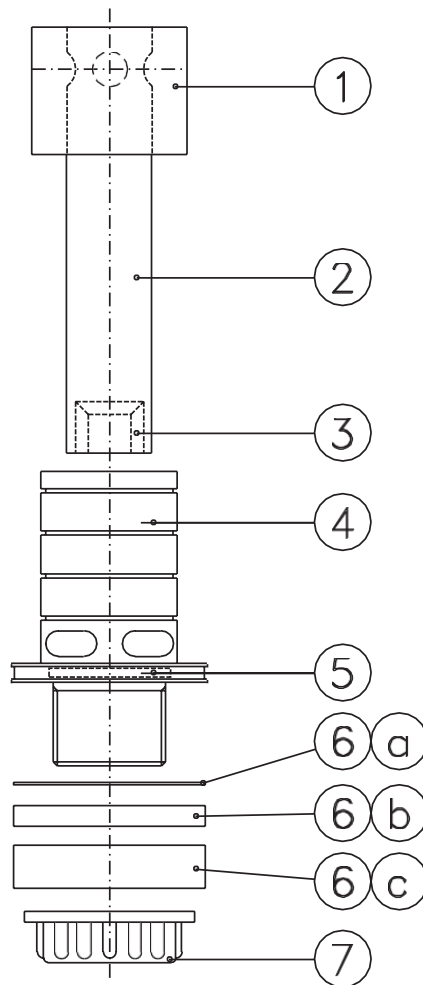
Draining capacity diagram for the Siphon Valve (Litres/Min.)



AVsystem

Del af Danvan-gruppen

Spareparts



Description			Dimension	Item no.
07	1	Union nut		0760830
06c	1	Rubber gasket	10 mm	0760823
06b	1	Rubber gasket	5 mm	0760822
06a	1	Flat gasket		0760805
05	1	O-ring	20x1,5 mm	0760810
04	1	Table duct		0760840
03	1	Reduction bush	∅ 10 mm	0760820
01+02	1	Siphon tube with cap		0760839