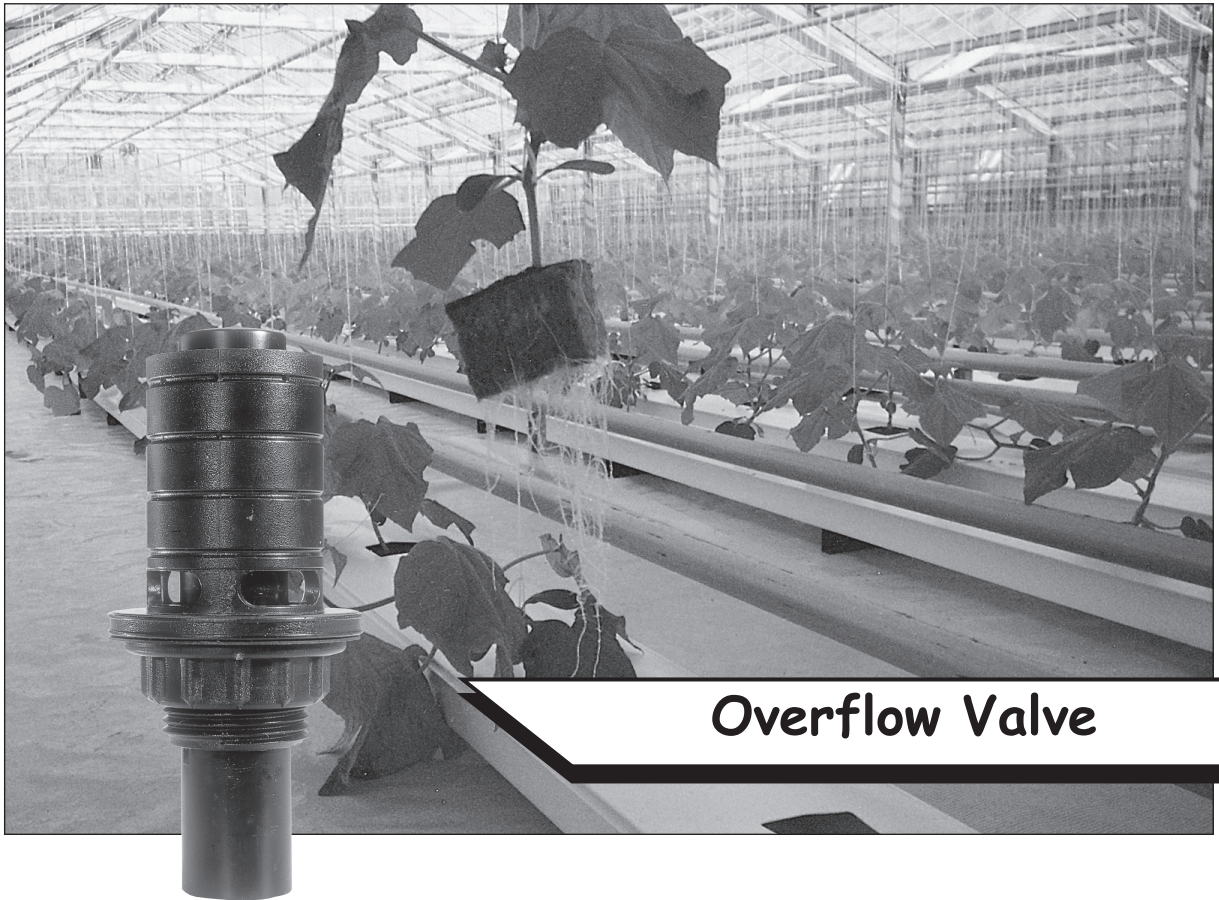


# Overflow Valve



**Overflow Valve**

## **Overflow Valve for recirculating systems**

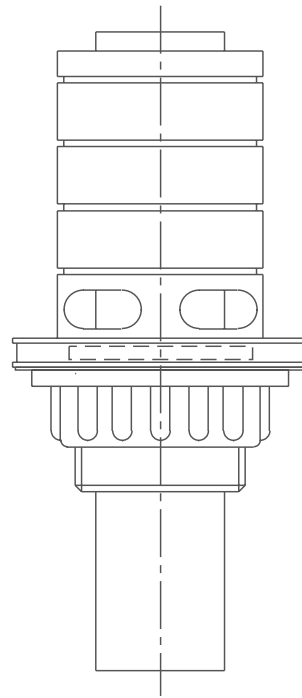
The Overflow Valve is developed for recirculating systems, where a certain waterlevel is needed on tables or troughs.

You can raise or lower the waterlevel by adjusting the 20 mm PVC pipe, which is placed in the valve.

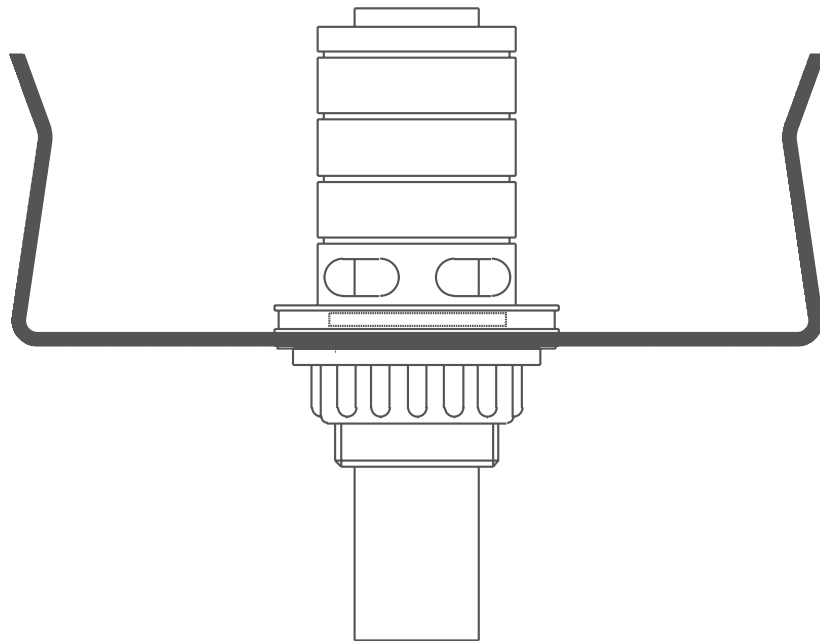
# Overflow Valve

Item no.: 0750950

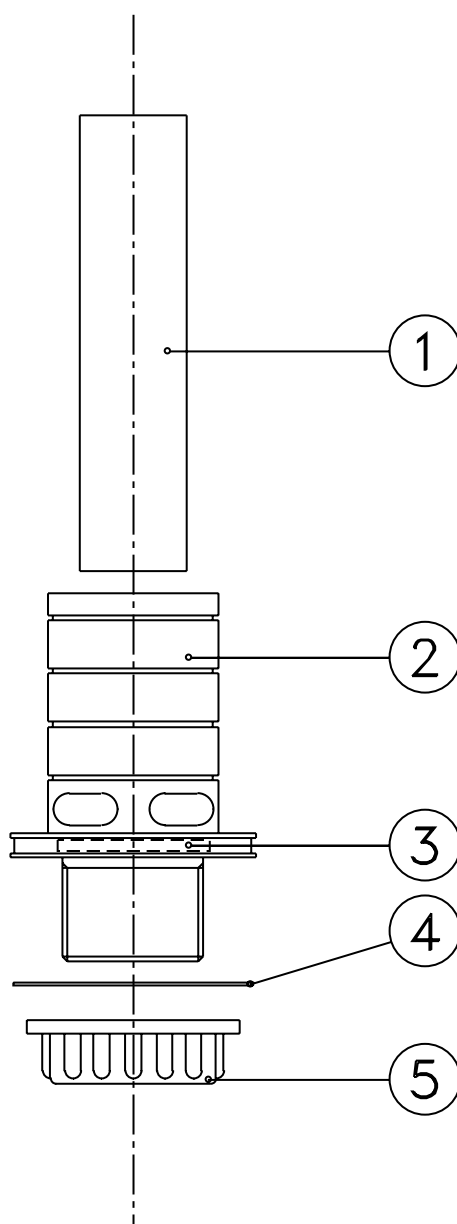
Overflow Valve



**Installation:**



# Spareparts



Description			Dimension	Item no.
05	1	Union nut		0760830
04	1	Flat gasket		0760805
03	1	O-ring		0760810
02	1	Table duct		0760840
01	1	PVC pipe black	20 mm	0400200